

Indoor Selectable-Output Speaker Strobes and Dual Voltage Evacuation Speakers for Ceiling Applications



Audio/Visual Devices

General

The L-Series of speakers and speaker strobes reduce costly ground faults using a plug-in design and universal mounting plate. The installer can pre-wire mounting plates, dress the wires, and confirm wiring continuity before plugging in the speakers. In addition, a protective plastic cover prevents nicked wires by covering exposed speaker components.

These devices also enable faster installations by providing instant feedback to ensure that wiring is properly connected, rotary switches to select voltage and power settings, and 7 field-selectable candela settings for both wall and ceiling speaker strobes.

The low total harmonic distortion of the SP speaker offers high fidelity sound output while still offering high volume sound output for use in high ambient noise applications.

L-SERIES MAKES INSTALLATION EASY

- Attach a universal mounting plate to a 4" x 4" x 2¹/₈" back box. Flush-mount applications do not require an extension ring.
- Connect the notification appliance circuit or speaker wiring to the terminals on the mounting plate.
- Attach the speaker or speaker strobe to the mounting plate by inserting the product tabs into the mounting plate grooves. Hinge the device into position to lock the product pins into the mounting plate terminals. The device will temporarily hold in place with a catch until it is secured with a captured mounting screw.

Features

- Plug-in design and protective cover reduce ground faults.
- Universal mounting plate with an onboard shorting spring tests wiring continuity before installation.
- No extension ring required.
- Field selectable candela settings on ceiling units: 15, 30, 75, 95, 115, 150, and 177.
- Automatic selection of 12- or 24-volt operation at 15 and 30 candela.
- Rotary switch simplifies field selection of speaker voltage (25 and 70.7 Vrms) and power settings (¼, ½, 1 and 2 watts).
- Speakers offer high fidelity and high volume sound output.
- UL 464 (520 Hz) listed and complies with NFPA 72 requirements for low frequency with compatible fire alarm control panel.
- Compatible with System Sensor synchronization protocol.
- Electrical compatibility with existing SpectrAlert and SpectrAlert Advance products.
- Tamper-resistant construction.
- Updated modern aesthetics.



SPSCRL, SPSCWL

Architectural/Engineering Specifications

General. L-Series speaker and speaker strobes shall mount to a 4" x 4" x 2¹/₈" back box. A universal mounting plate shall be used for mounting ceiling and wall products. The notification appliance circuit and amplifier wiring shall terminate at the universal mounting plate. Also, L-Series speaker strobes, when used with the Sync•Circuit™ Module accessory, shall be powered from a non-coded notification appliance circuit output and shall operate on a nominal 12 or 24 volts. When used with the Sync•Circuit Module, 12-volt rated notification appliance circuit outputs shall operate between 8.5 and 17.5 volts; 24-volt rated notification appliance circuit outputs shall operate between 16.5 and 33 volts. Indoor L-Series products shall operate between 32°F and 120°F from a regulated DC, or full-wave rectified, unfiltered power supply. Speaker strobes shall have field-selectable candela settings including 15, 30, 75, 95, 115, 150, 177.

Speaker. The speaker shall be a System Sensor L-Series model dual-voltage transformer speaker capable of operating at 25.0 or 70.7 nominal Vrms. It should be listed to UL 1480 and shall be approved for fire protective service. The speaker shall have a frequency range of 400 to 4,000 Hz and shall have an operating temperature between 32°F and 120°F. The speaker shall have power taps and voltage that are selected by rotary switches.

Speaker Strobe Combination. The speaker strobe shall be a System Sensor L-Series model listed to UL1480 and UL 1971 and be approved for fire protective signaling systems. The speaker shall be capable of operating at 25.0 or 70.7 nominal Vrms selected via rotary switch, and shall have a frequency range of 400 to 4,000 Hz. The speaker shall have power taps that are selected by rotary switch. The strobe shall comply with the NFPA 72 requirements for visible signaling appliances, flashing at 1 Hz over the strobe's entire operating voltage range. The strobe light shall consist of a xenon flash tube and associated lens/reflector system.

Synchronization Module. The module shall be a System Sensor Sync•Circuit model MDL3 listed to UL 464 and shall be approved for fire protective service. The module shall synchronize SpectrAlert strobes at 1 Hz. The module shall mount to a 4¹¹/₁₆" x 4¹¹/₁₆" x 2¹/₈" back box. The module shall also control two Style Y (class B) circuits or one Style Z (class A) circuit. The module shall synchronize multiple zones. Daisy chaining

two or more synchronization modules together will synchronize all the zones they control. The module shall not operate on a coded power supply.

Physical Specifications

- **Standard Operating Temperature:** 32°F to 120°F (0°C to 49°C).
- **Humidity Range:** 10 to 93% non-condensing.
- **Dimensions, Ceiling-Mount:**
 - **SPC Speaker:** Diameter 6.8 in, 173 mm. Depth: 1.0 in, 25 mm.
 - **SPC Speaker with Surface Mount Back Box:** Diameter: 6.9 in, 176 mm. Depth: 3.5 in, 89 mm.
 - **SPSC Speaker Strobe:** Diameter: 6.8 in, 173 mm. Depth: 2.8 in, 73 mm.
 - **SPSC Speaker Strobe with Surface Mount Back Box:** Diameter 6.9 in, 176 mm. Depth: 5.37 in, 136 mm.

Electrical/Operating Specifications

- **Nominal Voltage (speakers):** 25 Volts or 70.7 Volts (nominal).
- **Maximum Supervisory Voltage (speakers):** 50 VDC.
- **Strobe Flash Rate:** 1 flash per second.
- **Nominal Voltage (strobes):** Regulated 12 DC or regulated 24 DC/FWR (full wave rectified).
- **Operating Voltage Range (includes fire alarm panels with built in sync):** 8 to 17.5 V (12 V nominal) or 16 to 33 V (24 V nominal).
- **Operating Voltage with MDL3 Sync Module:** 8.5 V to 17.5 V (12 V nominal) or 16.5 V to 33 V (24 V nominal).
- **Frequency Range:** 400 to 4,000 Hz. 520Hz capable with compatible fire alarm control panel.
- **Power:** ¼, ½, 1, 2 watts.

UL Current Draw Data

UL MAX. STROBE CURRENT DRAW (MA RMS)

Candela	8-17.5 Volts		16-33 Volts	
	DC	DC	DC	FWR
15	87	41	60	
30	153	63	86	
75	NA	111	142	
95	NA	134	164	
115	NA	158	191	
150	NA	189	228	
177	NA	226	264	

CEILING-MOUNT SPEAKER SOUND OUTPUT

Setting	UL Reverberant (dBA @10 ft)	UL Anechoic (dBA @10 ft)
¼ W	79	79
½ W	82	82
1 W	85	85
2 W	88	88

CEILING-MOUNT SPEAKER STROBE SOUND OUTPUT

Setting	UL Reverberant (dBA @10 ft)	UL Anechoic (dBA @10 ft)
¼ W	77	77
½ W	80	80
1 W	83	83
2 W	86	86

Agency Listings and Approvals

The listings and approvals below apply to L-series devices. In some cases, certain modules or applications may not be listed by certain approval agencies, or listing may be in process. Consult factory for latest listing status.

- **UL-Listed:**
 - S4048 Plain Speaker Strobes (Ceiling)
 - S4048 Spanish-labeled Speaker Strobes (Ceiling)
 - S4048 Speaker Strobe ALERT devices
- **UL/ULC-Listed:**
 - S4048 Speakers (Ceiling)
 - S4048 Speaker Strobes (Ceiling)
- **FM Approved** (All except ALERT models)
- **CSFM Listed:** 7320-1653:0505

Product Line Information

CEILING MOUNT SPEAKER STROBES

SPCWL(A), SPCRL(A). Speaker only (White, Red).

SPSCWL(A)(-E)(-F), SPSCRL(A)(-E)(-F). Speaker strobe (White, Red).

SPSCWL(A)-P. Plain speaker strobe (White).

SPSCWL-SP. Spanish-labeled “Fuego” speaker strobe (White) UL/ULC Listed.

SPSCWL-TE. English with trim ring.

SPSCWL-CLR-ALERT. Speaker Strobe, Ceiling, Clear Lens, ALERT (White).

ACCESSORIES

SBBCWL, SBBCRL. Universal Ceiling Surface Mount Back Box (White, Red).

TRC-2W, TRC-2. Universal Ceiling Trim Ring (White, Red).

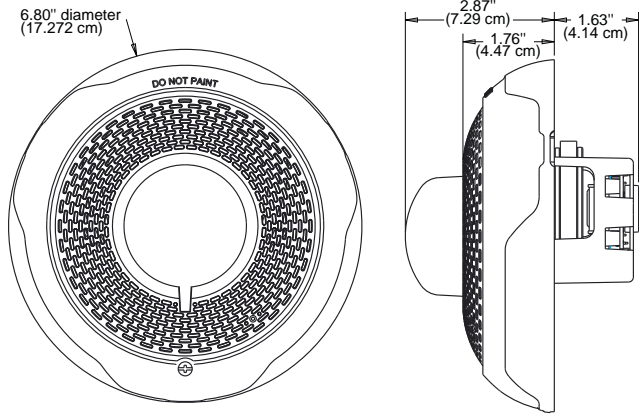
NOTE: “A” suffix indicates ULC-Listed model. ULC-listed devices include required French labeling. See Agency Listings for listing details.

NOTE: “A” suffix indicates ULC-listed models, ULC models have FIRE/FEU marking on cover.

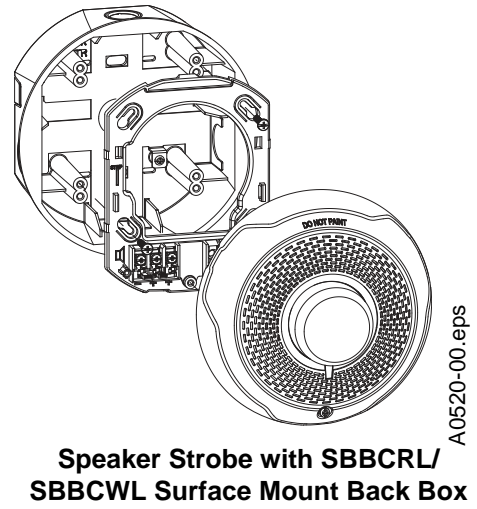
NOTE: ULC-listed models add “-E” suffix for English only “FIRE” marking on cover.

NOTE: ULC-listed models add “-F” suffix for French only “FEU” marking on cover.

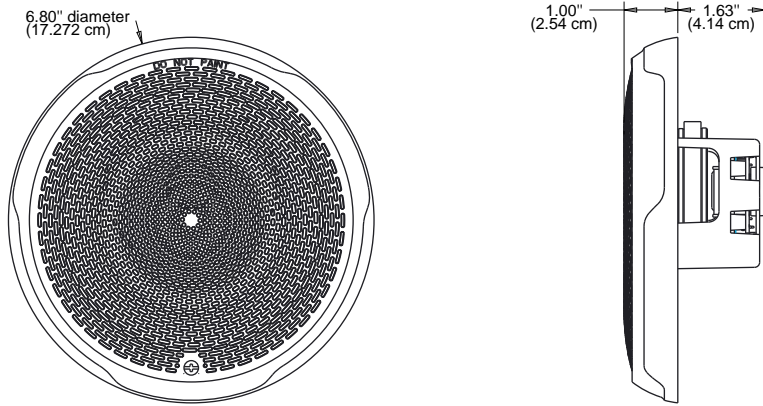
Product Drawings



Speaker Strobe Dimensions



**Speaker Strobe with SBBCRL/
SBBCWL Surface Mount Back Box**



Speaker Dimensions



**Speaker with SBBCRL/SBBCWL
Surface Mount Back Box**

NOTIFIER® and **SpectrAlert®** are registered trademarks and **Sync•Circuit™** is a trademark of Honeywell International Inc. ©2017 by Honeywell International Inc. All rights reserved. Unauthorized use of this document is strictly prohibited.



This document is not intended to be used for installation purposes.
We try to keep our product information up-to-date and accurate.
We cannot cover all specific applications or anticipate all requirements.
All specifications are subject to change without notice.

For more information, contact Notifier. Phone: (203) 484-7161, FAX: (203) 484-7118.
www.notifier.com

8-Inch Dual Voltage Speaker for Fire and General Signaling Systems



Audio/Visual Devices

General

The SPCW8 8" ceiling speaker with listed enclosure provides a solution for ceiling-mount applications, with tap-setting range between 1/8 Watt and 8 Watts. It provides a solution for almost any voice need.

The high dB output reduces the number of speakers required for sound and intelligibility. The SPCW8 is designed for high efficiency sound output with low total harmonic distortion to offer high fidelity sound output.

Its clear audibility is designed to meet life safety needs from fire to emergency communication messages. With its wide frequency range it can also be used for general signaling such as paging and background music. The SPCW8 speaker is listed to ANSI/UL 1480, CAN/ULC S541 and CSA C22.2. No. 205 requirements for public mode and general signaling applications as well as ANSI/UL 2043 plenum rated. Speaker is suitable for indoor and damp installations.

The SPCW8 can be surface mounted with the included back can or flush mounted with optional accessory, SB-SPC8. The SB-SPC8 (sold separately) offers support for ceiling tile installations, and 3/4" knockouts are provided for conduit entry and are compatible with plenum rated cable and plenum whip flex conduit.

Features

- Voltage and speaker tap settings via jumper connection.
- Field selection of speaker voltage (25 and 70.7 Vrms) and power settings (1/8, 1/4, 1/2, 1, 2, 4, and 8 watts).
- For use with separately sold tile support bracket: SB-SPC8.
- Flush and ceiling tile mounting with use of ceiling tile bracket.
- UL and ULC listed.
- Broad temperature range 32°F to 120°F (0°C to 49°C).
- Accepts wire up to 12 AWG.
- Speaker ships with included back can.

Architectural/Engineering Specifications

The SPCW8 8" dual voltage speaker and enclosure shall mount using SB-SPC8 mounting bracket, sold separately. The SPCW8 can be flush mounted with supplied back can or ceiling mounted with back can and SB-SPC8 tile bridge.

The speaker shall be a SPCW8 dual-voltage transformer speaker capable of operating at 25.0 or 70.7 nominal Vrms with field selectable tap settings from 1/8 to 8 Watts. It should be listed to ANSI/UL 1480, CAN/ULC S541 and CSA C22.2 No. 205 requirements for public mode and general signaling applications as well as ANSI/UL 2043 plenum rated. Speaker is suitable for indoor and damp installations. The speaker shall have a frequency range of 400 to 4,000 Hz and shall have an operating temperature between 32°F and 120°F (0°C and 49°C). The speaker shall have power taps and voltage that are selected by jumper connection.



SPCW8 Speaker

Physical Specifications

- **Operating Temperature:** 32°F to 120°F (0°C to 49°C).
- **Humidity Range:** 10 to 93% non-condensing.
- **Dimensions, Ceiling-Mount:**
 - **SPCW8 Speaker with Grill:** Diameter 12.8 in. (325.1 mm). Depth 2.7 in. (68.6 mm).
 - **SPCW8 Speaker with Back Can:** Diameter 12.8 in. (325.1 mm). Depth 4.2 in. (106.7 mm).
 - **SB-SPC8 Tile Support Bracket:** Length 23.75 in. (603.3 mm). Width 4.125 in. (104.8 mm). Diameter Opening 10.75 in. (273.1 mm).

Electrical/Operating Specifications

- **Nominal Voltage (speakers):** 25 Volts or 70.7 Volts (nominal).
- **Maximum Supervisory Voltage (speakers):** 50 VDC.
- **Operating Voltage Range (includes fire alarm panels with built in sync):** 8 to 17.5 V (12 V nominal) or 16 to 33 V (24 V nominal).
- **Frequency Range:** 400 to 4,000 Hz (Fire Alarm), 200Hz - 15KHz (General Signaling).
- **Power:** 1/8, 1/4, 1/2, 1, 2, 4, 8 watts.
- **Input Terminal Wire Gauge:** 12 to 18 AWG.

UL Current Draw Data

SPC-W8 Sound Output

Setting	UL Reverberant (dBA @ 10 ft)	UL Anechoic (dBA @ 10 ft)
1/8 W	75	82
1/4 W	78	85
1/2 W	81	87
1 W	84	91
2 W	87	94
4 W	90	97
8 W	93	100

Agency Listings and Approvals

The listings and approvals below apply to L-series devices. In some cases, certain modules or applications may not be listed by certain approval agencies, or listing may be in process. Consult factory for latest listing status.

- **UL/ULC Listed:** S4048
- **CSFM :** 7320-1653:0500

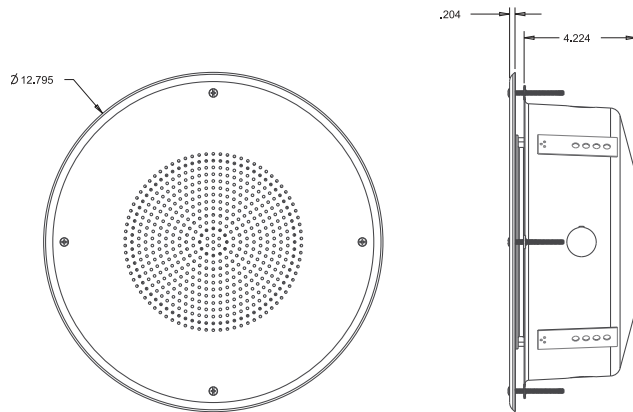
Product Line Information

SPCW8. 8" Dual Voltage Speaker (White).

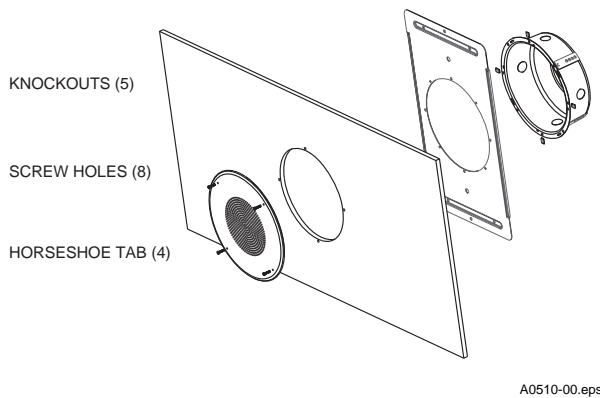
SP-SPC8. Tile Support Bracket (White).

Product Drawings

SPEAKER DIMENSIONS



SURFACE MOUNTING: CEILING-MOUNT SPEAKER WITH BACK CAN AND SB-SPC8 TILE BRIDGE



NOTIFIER® is a registered trademark of Honeywell International Inc.
©2017 by Honeywell International Inc. All rights reserved. Unauthorized use of this document is strictly prohibited.



This document is not intended to be used for installation purposes.
We try to keep our product information up-to-date and accurate.
We cannot cover all specific applications or anticipate all requirements.
All specifications are subject to change without notice.

For more information, contact Notifier. Phone: (203) 484-7161, FAX: (203) 484-7118.
www.notifier.com

Indoor Selectable-Output Speaker Strobes and Dual Voltage Evacuation Speakers for Wall Applications



Audio/Visual Devices

General

System Sensor L-Series selectable output speaker strobes and dual-voltage evacuation speakers can reduce ground faults and enable faster installation with lower current draw and modern aesthetics.

The System Sensor L-Series of speakers and speaker strobes reduce costly ground faults using a plug-in design and universal mounting plate that allow the installer to pre-wire mounting plates, dress the wires, and confirm wiring continuity before plugging in the speakers. In addition, a protective plastic cover prevents nicked wires by covering exposed speaker components.

These devices also enable faster installations by providing instant feedback to ensure that wiring is properly connected, rotary switches to select voltage and power settings, and 7 field-selectable candela settings for wall speaker strobes.

The low total harmonic distortion of the speaker offers high fidelity sound output while still offering high volume sound output for use in high ambient noise applications.

System Sensor L-Series makes installation easy.

- Attach a universal mounting plate to a 4 × 4 × 2¹/₈ inch back box. Flush-mount applications do not require an extension ring.
- Connect the notification appliance circuit or speaker wiring to the terminals on the mounting plate.
- Attach the speaker or speaker strobe to the mounting plate by inserting the product tabs into the mounting plate grooves. Hinge the device into position to lock the product pins into the mounting plate terminals. The device will temporarily hold in place with a catch until it is secured with a captured mounting screw.

Features

- Plug-in design and protective cover reduce ground faults.
- Universal mounting plate with an onboard shorting spring tests wiring continuity before installation.
- No extension ring required.
- Field selectable candela settings on wall units: 15, 30, 75, 95, 110, 135, 185.
- Automatic selection of 12- or 24-volt operation at 15 and 30 candela.
- Rotary switch simplifies field selection of speaker voltage (25 and 70.7 Vrms) and power settings (¼, ½, 1 and 2 watts).
- Speakers offer high fidelity and high volume sound output.
- UL 464 (520 Hz) listed and complies with NFPA 72 requirements for low frequency with compatible fire alarm control panel.
- Compatible with System Sensor synchronization protocol.
- Electrical compatibility with existing SpectrAlert and SpectrAlert Advance products.
- Tamper-resistant construction.
- Updated modern aesthetics.



SPSWL

SPSRL

Architectural/Engineering Specifications

GENERAL

L-Series speaker and speaker strobes shall mount to a 4 × 4 × 2¹/₈ inch back box. A universal mounting plate shall be used for mounting ceiling and wall products. The notification appliance circuit and amplifier wiring shall terminate at the universal mounting plate. Also, L-Series speaker strobes, when used with the Sync•Circuit™ Module accessory, shall be powered from a non-coded notification appliance circuit output and shall operate on a nominal 12 or 24 volts. When used with the Sync•Circuit Module, 12-volt rated notification appliance circuit outputs shall operate between 8.5 and 17.5 volts; 24-volt rated notification appliance circuit outputs shall operate between 16.5 and 33 volts. Indoor L-Series products shall operate between 32°F and 120°F from a regulated DC, or full-wave rectified, unfiltered power supply. Wall-mount speaker strobes shall have field-selectable candela settings including 15, 30, 75, 95, 110, 135, 185.

SPEAKER

The speaker shall be a System Sensor L-Series model _____ dual-voltage transformer speaker capable of operating at 25.0 or 70.7 nominal Vrms. It should be listed to UL 1480 and shall be approved for fire protective service. The speaker shall have a frequency range of 400 to 4,000 Hz and shall have an operating temperature between 32°F and 120°F. The speaker shall have power taps and voltage that are selected by rotary switches.

SPEAKER STROBE COMBINATION

The speaker strobe shall be a System Sensor L-Series model _____ listed to UL1480 and UL 1971 and be approved for fire protective signaling systems. The speaker shall be

capable of operating at 25.0 or 70.7 nominal Vrms selected via rotary switch, and shall have a frequency range of 400 to 4,000 Hz. The speaker shall have power taps that are selected by rotary switch. The strobe shall comply with the NFPA 72 requirements for visible signaling appliances, flashing at 1 Hz over the strobe's entire operating voltage range. The strobe light shall consist of a xenon flash tube and associated lens/reflector system.

SYNCHRONIZATION MODULE

The module shall be a System Sensor Sync•Circuit model MDL3 listed to UL 464 and shall be approved for fire protective service. The module shall synchronize SpectraAlert strobes at 1 Hz. The module shall mount to a 4^{11/16} × 4^{11/16} × 2^{1/8} inch back box. The module shall also control two Style Y (class B) circuits or one Style Z (class A) circuit. The module shall synchronize multiple zones. Daisy chaining two or more synchronization modules together will synchronize all the zones they control. The module shall not operate on a coded power supply.

PHYSICAL/ELECTRICAL SPECIFICATIONS

- **Standard Operating Temperature:** 32°F to 120°F (0°C to 49°C).
- **Humidity Range:** 10 to 93% non-condensing.

DIMENSIONS, WALL-MOUNT

- SP Speaker: 6.5 in x 5 in x 2.3 in. (165 mm x 127 mm x 58 mm)
- SP Speaker with Surface Mount Back Box: 6.6 in x 5.1 in x 3.2 in (168 mm x 130 mm x 82 mm)
- SPS Speaker/Strobe (including lens and speaker): 6.5 in x 5.0 in x 2.3 in (165 mm x 127 mm x 58 mm)
- SPS Speaker/Strobe (including lens and speaker) with Surface Mount Back Box: 6.6 in x 5.1 in x 4.55 in. (168 mm x 130 mm x 116 mm)

ELECTRICAL/OPERATING SPECIFICATIONS:

- **Nominal Voltage (speakers):** 25 or 70.7 (nominal)
- **Maximum Supervisory Voltage (speakers):** 50 VDC
- **Strobe Flash Rate:** 1 flash per second
- **Nominal Voltage (strobes):** Regulated 12 VDC or regulated 24 DC/FWR
- **Operating Voltage Range (includes fire alarm panels with built in sync):** 8 to 17.5 V (12 V nominal) or 16 to 33V (24 V nominal)
- **Operating Voltage with MDL3 Sync Module:** 8.5 to 17.5 V (12 V nominal) or 16.5 to 33V (24 V nominal)
- **Frequency Range:** 400 to 4000 Hz. 520Hz capable with compatible fire alarm control panel.
- **Power:** ¼, ½, 1, 2 watts

UL Current Draw Data

UL MAX. STROBE CURRENT DRAW (MA RMS)

Candela	8–17.5 Volts	16–33 Volts	
	DC	DC	FWR
15	88	43	60
30	143	63	83
75	N/A	107	136
95	N/A	121	155
110	N/A	148	179
135	N/A	172	209
185	N/A	222	257

SOUND OUTPUT SPEAKER STROBE

	¼ W	½ W	1 W	2 W
UL Reverberant (dBA @ 10 ft)	77	80	83	86
UL Anechoic (dBA @ 10 ft)	77	80	83	86

SOUND OUTPUT SPEAKER

	¼ W	½ W	1 W	2 W
UL Reverberant (dBA @ 10 ft)	79	82	85	88
UL Anechoic (dBA @ 10 ft)	79	82	85	88

Agency Listings and Approvals

The listings and approvals below apply to L-series devices. In some cases, certain modules or applications may not be listed by certain approval agencies, or listing may be in process. Consult factory for latest listing status.

- **UL-Listed:**
 - S4048 Plain Speaker Strobes (Wall)
 - S4048 Spanish-labeled Speaker Strobes (Wall)
 - S4048 Speaker Strobe ALERT devices.
- **UL/ULC-Listed:**
 - S4048 Speakers (Wall)
 - S4048 Speaker Strobes (Wall)
- **FM Approved** (All except ALERT models)
- **CSFM Listed:** 7320-1653:0505

Product Line Information

Note: "A" suffix indicates ULC-listed models. ULC-listed devices include required French labeling. See Agency Listings for listing details.

WALL MOUNT

SPWL(A), SPRL(A). Speaker only (White, Red).

SPSWL(A), SPSRL(A). Speaker Strobe (White, Red).

SPSWL-P(A), SPSRL-P(A). Plain Speaker Strobe (White, Red).

SPSWL-ALERT. Speaker Strobe, Amber Lens, ALERT (White).

SPSWL-CLR-ALERT. Speaker Strobe Clear Lens, ALERT (White).

SPSRL-SP. Speaker Strobe, Fuego (White).

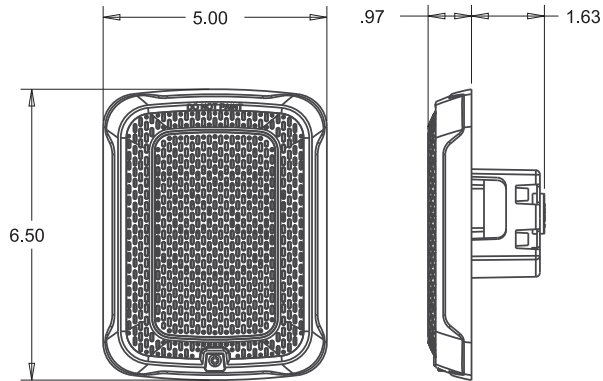
ACCESSORIES

RFPW, RFP. 7 in x 9.5 in Retrofit Plate (White, Red).

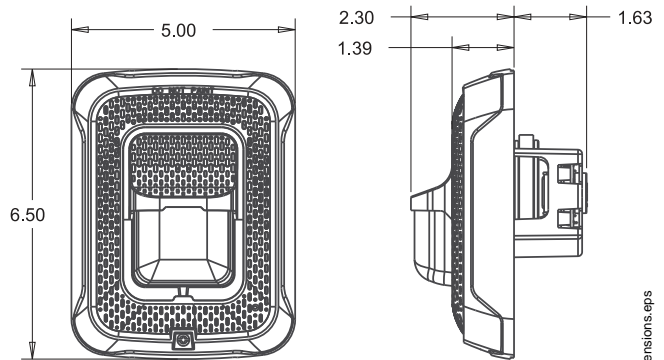
SBBSPW, SBBSPR. Surface Mount Back Box for Speakers and Speaker Strobes (White, Red).

TRW, TR. Wall Mount Trim Ring (White, Red).

Product Drawings: Dimensions and Surface Mounting

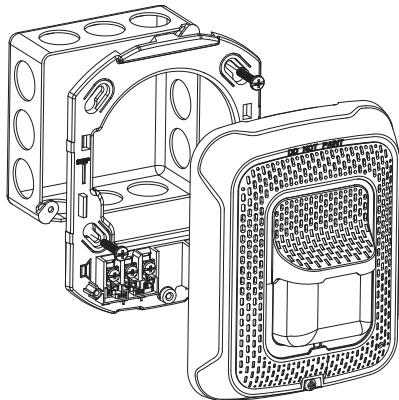


Wall-Mount Speaker



Wall-Mount Speaker Strobe

60942dimensions.eps



Wall-Mount Speaker Strobe with SBBSPRL Surface Mount Back

A0522-00.eps

NOTIFIER® and **SpectrAlert®** are registered trademarks and **Sync•Circuit™** is a trademark of Honeywell International Inc. ©2017 by Honeywell International Inc. All rights reserved. Unauthorized use of this document is strictly prohibited.



This document is not intended to be used for installation purposes.
We try to keep our product information up-to-date and accurate.
We cannot cover all specific applications or anticipate all requirements.
All specifications are subject to change without notice.

For more information, contact Notifier. Phone: (203) 484-7161, FAX: (203) 484-7118.
www.notifier.com