

Indoor Selectable-Output Horns, Strobes, and Horn Strobes for Wall Applications



Audio/Visual Devices

General

The L-Series offers the most versatile and easy-to-use line of horns, strobes, and horn strobes in the industry with lower current draws and modern aesthetics. With white and red plastic housings, standard and small footprint devices, and plain, FIRE-printed devices, L-Series can meet virtually any application requirement.

The L-Series product line of wall-mount horns, strobes, and horn strobes include a variety of features that increase their application versatility while simplifying installation. All devices feature plug-in designs with minimal intrusion into the back box, making installations fast and foolproof while virtually eliminating costly and time-consuming ground faults.

To further simplify installation and protect devices from construction damage, L-Series utilizes a universal mounting plate for all standard and compact models with an onboard shorting spring, so installers can test wiring continuity before the device is installed.

Installers can also easily adapt devices to suit a wide range of application requirements using field-selectable candela settings, automatic selection of 12- or 24-volt operation, and a rotary switch for horn tones with two volume selections.

Features

- Updated modern aesthetics.
- Small profile devices for Horns and Horn Strobes.
- Plug-in design with minimal intrusion into the back box.
- Tamper-resistant construction.
- Automatic selection of 12- or 24-volt operation at 15 and 30 candela.
- Field-selectable candela settings on wall units: 15, 30, 75, 95, 110, 135, and 185.
- Horn rated at 88+ dBA at 16 volts.
- Rotary switch for horn tone and two volume selections.
- Universal mounting plate for all standard and all compact wall units.
- Mounting plate shorting spring checks wiring continuity before device installation.
- Electrically Compatible with legacy SpectrAlert® and SpectrAlert Advance devices.
- Compatible with MDL3 sync module.
- Listed for wall mounting only.

Architectural/Engineering Specifications

General: L-Series standard horns, strobes, and horn strobes shall mount to a standard 2" x 4" x 1⁷/₈" back box, 4" x 4" x 1¹/₂" back box, 4" octagon back box, or double-gang back box. L-Series compact products shall mount to a single-gang 2" x 4" x 1⁷/₈" back box. A universal mounting plate shall be used for mounting ceiling and wall products for all standard-size models and a separate universal mounting plate shall be used for mounting compact wall models. The notification appliance circuit wiring shall terminate at the universal mounting plate. Also, L-Series products, when used with the Sync•Circuit™ Module accessory, shall be powered from a non-coded notification appliance circuit output and shall operate on a nominal



P2RL



P2GWL



SGWL



HWL

12 or 24 volts. When used with the Sync•Circuit Module, 12-volt-rated notification appliance circuit outputs shall operate between 8.5 and 17.5 volts; 24-volt-rated c appliance circuit outputs shall operate between 16.5 and 33 volts. Indoor L-Series products shall operate between 32 and 120 degrees Fahrenheit from a regulated DC or full-wave rectified unaltered power supply. Strobes and horn strobes shall have field-selectable candela settings including 15, 30, 75, 95, 110, 135, and 185.

Strobe. The strobe shall be a L-Series Model listed to UL 1971 and shall be approved for fire protective service. The strobe shall be wired as a primary-signaling notification appliance and comply with the Americans with Disabilities Act requirements for visible signaling appliances, flashing at 1 Hz over the strobe's entire operating voltage range. The strobe light shall consist of a xenon flash tube and associated lens/reflector system.

Horn Strobe Combination. The horn strobe shall be a L-Series Model listed to UL 1971 and UL 464 and shall be approved for fire protective service. The horn strobe shall be wired as a primary-signaling notification appliance and comply with the Americans with Disabilities Act requirements for visible signaling appliances, flashing at 1 Hz over the strobe's entire operating voltage range. The strobe light shall consist of a xenon flash tube and associated lens/reflector system. The horn shall have two audibility options and an option to switch between a temporal three pattern and a non-temporal (continuous) pattern. These options are set by a multiple position switch. The horn on horn strobe models shall operate on a coded or non-coded power supply.

Synchronization Module. The module shall be a Sync•Circuit model MDL3 listed to UL 464 and shall be approved for fire protective service. The module shall synchronize SpectraAlert strobes at 1 Hz and horns at temporal three. Also, while operating the strobes, the module shall silence the horns on horn strobe models over a single pair of wires. The module shall mount to a 4^{11/16}" x 4^{11/16}" x 2^{1/8}" back box. The module shall also control two Style Y (class B) circuits or one Style Z (class A) circuit. The module shall synchronize multiple zones. Daisy chaining two or more synchronization modules together will synchronize all the zones they control. The module shall not operate on a coded power supply.

PHYSICAL/ELECTRICAL SPECIFICATIONS

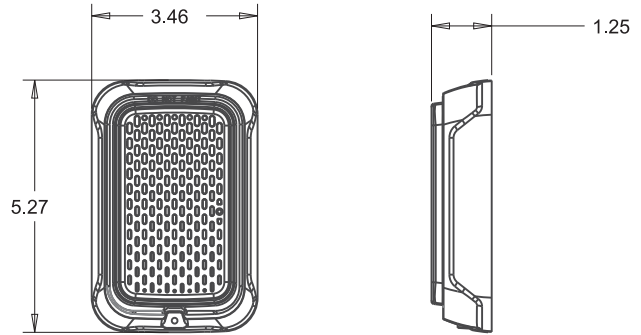
- **Standard Operating Temperature:** 32°F to 120°F (0°C to 49°C).
- **Humidity Range:** 10 to 93% non-condensing.
- **Strobe Flash Rate:** 1 flash per second.
- **Nominal Voltage:** Regulated 12 DC or regulated 24 DC/ FWR¹ (full wave rectified).
- **Operating Voltage Range²:** 8 to 17.5 V (12 V nominal) or 16 to 33 V (24 V nominal).
- **Operating Voltage Range:** MDL3 Sync Module 8.5 to 17.5 V (12 V nominal) or 16.5 to 33 V (24 V nominal).
- **Input Terminal Wire Gauge:** 12 to 18 AWG.
- **Wall-Mount Dimensions (including lens):** 5.6" L x 4.7" W x 1.25" D (143 mm L x 119 mm W x 32 mm D).
- **Compact Wall-Mount Dimensions (including lens):** 5.26" L x 3.46" W x 1.93" D (133 mm L x 88 mm W x 49 mm D).
- **Horn Dimensions:** 5.6" L x 4.7" W x 1.25" D (143 mm L x 119 mm W x 32 mm D).
- **Compact Horn Dimensions:** 5.25" L x 3.45" W x 1.25" D (133mm L x 88mm W x 32mm D).

NOTE:

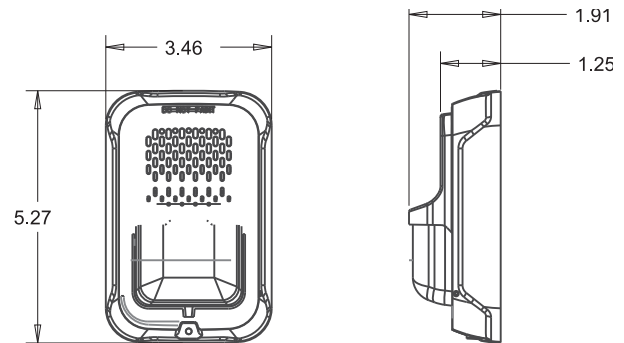
1. Full Wave Rectified (FWR) voltage is a non-regulated, time-varying power source that is used on some power supply and panel outputs.
2. P, S, PC, and SC products will operate at 12 V nominal only for 15 cd and 30 cd.

L-Series Drawings

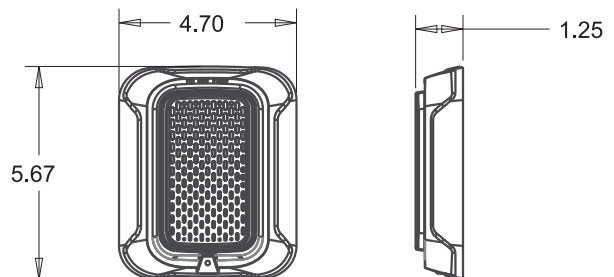
Compact Horn



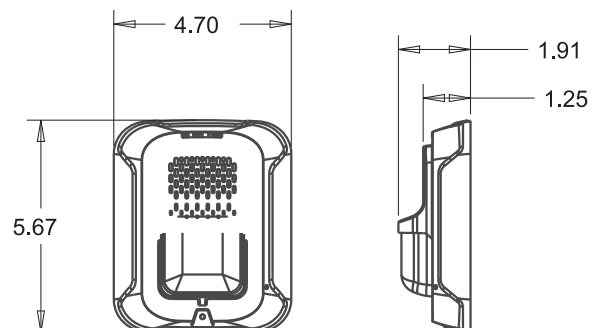
Compact Combo



Horn



Combo



UL Current Draw Data

UL MAX. STROBE CURRENT DRAW (MA RMS)

Candela	8-17.5 Volts	16-33 Volts	
	DC	DC	FWR
15	88	43	60
30	143	63	83
75	N/A	107	136
95	N/A	121	155
110	N/A	148	179
135	N/A	172	209
185	N/A	222	257

UL MAX. HORN CURRENT DRAW (MA RMS)

The 3.1k is the sound of the mini-horns. The EM (which stands for Electro-mechanical) is the sound of the SpectrAlert Advance line which uses an algorithm that hops frequencies between 2Hz and 4Hz.

Sound Pattern	dB	8-17.5 Volts	16-33 Volts	
		DC	DC	FWR
Temporal	High	39	44	54
Temporal	Low	28	32	54
Non-Temporal	High	43	47	54
Non-Temporal	Low	29	32	54
3.1 KHz Temporal	High	39	41	54
3.1 KHz Temporal	Low	29	32	54
3.1 KHz Non-Temporal	High	42	43	54
3.1 KHz Non-Temporal	Low	28	29	54
Coded	High	43	47	54
3.1 KHz Coded	High	42	43	54

UL MAX. CURRENT DRAW (MA RMS), 2-WIRE HORN STROBE, CANDELA RANGE (15-115 CD)

The 3.1k is the sound of the mini-horns. The EM (which stands for Electro-mechanical) is the sound of the SpectrAlert Advance line which uses an algorithm that hops frequencies between 2Hz and 4Hz.

	DC Input: 8-17.5 Volts		DC Input: 16-33 Volts							FWR Input: 16 FWR						
	15 cd	30 cd	15 cd	30 cd	75 cd	95 cd	110 cd	135 cd	185 cd	15 cd	30 cd	75 cd	95 cd	110 cd	135 cd	185 cd
Temporal High	98	158	54	74	121	142	162	196	245	83	107	156	177	198	234	287
Temporal Low	93	154	44	65	111	133	157	184	235	68	91	145	165	185	223	271
Non-Temporal High	106	166	73	94	139	160	182	211	262	111	135	185	207	230	264	316
Non-Temporal Low	93	156	51	71	119	139	162	190	239	79	104	157	175	197	235	283
3.1K Temporal High	93	156	53	73	119	140	164	190	242	81	105	155	177	196	234	284
3.1K Temporal Low	91	154	45	66	112	133	160	185	235	68	90	145	166	186	222	276
3.1K Non-Temporal High	99	162	69	90	135	157	175	208	261	104	131	177	204	230	264	326
3.1K Non-Temporal Low	93	156	52	72	119	138	162	192	242	77	102	156	177	199	234	291

HORN TONES AND SOUND OUTPUT DATA: HORN AND HORN STROBE OUTPUT (DBA)

The 3.1k is the sound of the mini-horns. The EM (which stands for Electro-mechanical) is the sound of the SpectrAlert Advance line which uses an algorithm that hops frequencies between 2Hz and 4Hz.

In the coded positions, temporal coding must be provided by the NAC. If the NAC voltage is held constant, the horn output will remain constantly on.

Pos.	Sound Pattern	dB	8-17.5 Volts	16-33 Volts	
			DC	DC	FWR
1	Temporal	High	84	89	89
2	Temporal	Low	75	83	83
3	Non-Temporal	High	85	90	90
4	Non-Temporal	Low	76	84	84
5	3.1 KHz Temporal	High	83	88	88
6	3.1 KHz Temporal	Low	76	82	82
7	3.1 KHz Non-Temporal	High	84	89	89
8	3.1 KHz Non-Temporal	Low	77	83	83
9†	Coded	High	85	90	90
10†	3.1 KHz Coded	High	84	89	89

†Settings 9 and 10 are not available on the 2-wire horn strobes.

Agency Listings and Approvals

The listings and approvals below apply to L-series devices. In some cases, certain modules or applications may not be listed by certain approval agencies, or listing may be in process. Consult factory for latest listing status.

- **UL/ULC-Listed**
 - S4011 Wall Horn Strobes
 - S5512 Wall Strobes
 - S5512 Wall Horns
 - S5512 Strobe-only ALERT devices
- **FM Approved** (All except ALERT models)
- **CSFM Listed:** 7135-1653:0503 (Wall Horns and Wall Horn Strobes), 7125-1653:0504 (Wall Strobes)

Product Line Information

WALL HORN STROBES

P2WL(A)(-E)(-F), P2RL(A)(-E)(-F). 2-Wire, Horn Strobe (White, Red).

P2GWL(A)(-E)(-F), P2GRL(A)(-E)(-F). 2-Wire, Compact Horn Strobe (White, Red).

P2WL(A)-P, P2RL(A)-P. 2-Wire, Horn Strobe, Plain (White, Red).

P2WL-SP, P2RL-SP. 2-Wire, Horn Strobe, FUEGO (White, Red).

WALL STROBES

SWL(A)(-E)(-F), SRL(A)(-E)(-F). Strobe, Red (White, Red).

SGWL(A)(-E)(-F), SGRL(A)(-E)(-F). Compact Strobe (White, Red).

SWL(A)-P, SRL(A)-P. Strobe, Plain (White, Red).

SRL-SP. Strobe, FUEGO (Red).

SWL-CLR-ALERT. Strobe, ALERT (White).

SWL-ALERT. Strobe, Wall, Amber Lens, ALERT (White).

HORNS

HWL(A), HRL(A). Horn (White, Red).

HGWL(A), HGRL(A). Compact Horn (White, Red).

ACCESSORIES

TR-2W, TR-2. Universal Wall Trim Ring (White, Red).

SBBWL, SBBRL. Wall Surface Mount Back Box (White, Red).

SBBGWL, SBBGRL. Compact Wall Surface Mount Back Box (White, Red).

NOTE: "A" suffix indicates ULC-Listed model. ULC-listed devices include required French labeling. See Agency Listings for listing details.

NOTE: "A" suffix indicates ULC-listed models, ULC models have FIRE/FEU marking on cover.

NOTE: ULC-listed models add "-E" suffix for English only "FIRE" marking on cover.

NOTE: ULC-listed models add "-F" suffix for French only "FEU" marking on cover.

NOTIFIER® and SpectrAlert® are registered trademarks and SyncCircuit™ is a trademark of Honeywell International Inc. ©2017 by Honeywell International Inc. All rights reserved. Unauthorized use of this document is strictly prohibited.



This document is not intended to be used for installation purposes.
We try to keep our product information up-to-date and accurate.
We cannot cover all specific applications or anticipate all requirements.
All specifications are subject to change without notice.

For more information, contact Notifier. Phone: (203) 484-7161, FAX: (203) 484-7118.
www.notifier.com

Field-Selectable Emergency Communications Devices



Audio/Visual Devices

General

The L-Series emergency communications devices and accessories combine application versatility with all the time- and money-saving benefits of the L-Series line.

The L-Series of Audio Visual devices has the broadest and most versatile line of notification devices available. It includes a wide range of devices to meet emergency communications application requirements.

ALERT-printed on white housings amber lens strobes and speaker strobes provide visual signaling for emergency communications in compliance with ANSI/UL 1638 - Standard for General Signaling Visible Appliances. Other Plain or ALERT-printed models provide clear lenses for use with color lens strobe attachments (amber, blue, green, and red) that easily attach to strobe and speaker strobe devices without a candela derating.

In addition, L-Series emergency communications devices include plain (non-printed) strobes, horn strobes, and speaker strobes. These devices, along with ALERT-printed devices and L-Series accessories, can meet a wide range of requirements for indoor applications, including emergency communications, general signaling, severe weather, and emergency response.

All L-Series emergency communications and general signaling devices are compatible with the entire L-Series line and include all the same time- and money-saving innovations. For example, plug in design simplifies installation and reduces costly ground faults, universal mounting plates with onboard shorting springs test wiring continuity to speed installation and protect devices from damage, and field-selectable settings provide versatility and enable installers to quickly set each device to meet application requirements.

Emergency Communications Features

- Plain or ALERT-printed white housings.
- Clear or Amber lens strobes and speaker strobes.
- Color lens attachments for use with clear lens wall or ceiling strobes.
- Meets DoD specification requirements.

L-Series Features

- Plug-in design for simplified installation.
- Mounting plate shorting spring easily tests wiring continuity.
- Automatic selection of 12- or 24-volt operation at 15 and 30 candela.
- Field-selectable candela settings of:
 - Wall: 15, 30, 75, 95, 110, 135, 185.
 - Ceiling: 15, 30, 75, 95, 115, 150, 177.
- Rated from 32°F to 120°F (indoor devices).
- Optional tamper-resistant Torx head screw.
- Compatible with System Sensor synchronization protocol.
- UL 464 (520 Hz) listed and complies with NFPA 72 requirements for low frequency with compatible fire alarm control panel.



SPSCWL-CLR-ALERT, P2GRL-P,
SWL-CLR-ALERT

L-Series Specifications

ARCHITECTURAL/ENGINEERING SPECIFICATIONS

General: System Sensor L-Series strobes and horn strobes shall mount to a standard 4" x 4" x 1½" back box, 4" octagon back box, or double-gang back box. L-Series Compact shall mount to a single-gang 2" x 4" x 1⅞" back box. L-Series speaker strobes shall mount to a 4" x 4" x 2⅛" back box. A universal mounting plate shall be used for mounting ceiling and wall products. The notification appliance circuit wiring and amplifier wiring shall terminate at the universal mounting plate. Also, L-Series products, when used with the Sync•Circuit™ Module accessory, shall be powered from a non-coded notification appliance circuit output and shall operate on a nominal 12 or 24 volts. When used with the Sync•Circuit Module, 12-volt-rated notification appliance circuit outputs shall operate between 8.5 and 17.5 volts; 24-volt-rated notification appliance circuit outputs shall operate between 16.5 and 33 volts. Indoor L-Series products shall operate between 32 and 120 degrees Fahrenheit from a regulated DC or full-wave rectified unfiltered power supply. Strobes, horn strobes, and speaker strobes shall have field-selectable candela settings, including 15, 30, 75, 95, 110, 115, 135, 150, 177, and 185.

Strobe: The clear strobe shall be a System Sensor L-Series Model _____ listed to UL 1971 and shall be approved for fire protective service. Colored lens strobes shall be listed to ANSI/UL 1638 and shall be approved for Private Mode Emergency. The strobe shall be wired as a primary-signaling notification appliance and comply with the Americans with Disabilities Act requirements for visible signaling appliances, flashing at 1 Hz over the strobe's entire operating voltage range. The strobe light shall consist of a xenon flash tube and associated lens/reflector system.

Horn Strobe Combination: The horn strobe shall be a System Sensor L-Series Model _____ listed to UL 1971 and UL 464 and shall be approved for fire protective service. The horn strobe shall be wired as a primary-signaling notification appliance and comply with the Americans with Disabilities Act requirements for visible signaling appliances, flashing at 1 Hz over the strobe's entire operating voltage range. The strobe light shall consist of a xenon flash tube and associated lens/

reflector system. The horn shall have three audibility options and an option to switch between a temporal three-pattern and a non-temporal (continuous) pattern. These options shall be set by a multiple position switch. The horn and horn strobe models shall operate on a coded or non-coded power supply.

Speaker Strobe Combination: The speaker strobe shall be a System Sensor L-Series Model _____ listed to UL 1480 and UL 1971 and be approved for fire protective signaling systems. Speaker shall be capable of operating at 25.0 or 70.7 nominal Vrms selected via rotary switch, and shall have a frequency range of 400 to 4,000 Hz. Speaker shall have power taps that are selected by rotary switch. The strobe shall comply with the NFPA 72 requirements for visible signaling appliances, flashing at 1 Hz over the strobe's entire operating voltage range. The strobe light shall consist of a xenon flash tube and associated lens/reflector system.

Synchronization Module: The module shall be a System Sensor Sync-Circuit model MDL3 listed to UL 464 and shall be approved for fire protective service. The module shall synchronize L-Series strobes at 1 Hz and horns at temporal three. Also, while operating the strobes, the module shall silence the horns on horn strobe models over a single pair of wires. The module shall mount to a 4^{11/16}" x 4^{11/16}" x 2^{1/8}" back box. The module shall also control two Style Y (class B) circuits or one Style Z (class A) circuit. The module shall synchronize multiple zones. Daisy chaining two or more synchronization modules together will synchronize all the zones they control. The module shall not operate on a coded power supply.

Color Lens Strobe Attachment: The System Sensor L-Series color lens attachments shall be approved for fire protective service as listed in UL 1638. The lens attachments shall only be used with (plain non-fire-printed) System Sensor strobe devices. They shall mount to any wall or ceiling strobe and be rated from minus 35 degrees to 151 degrees Fahrenheit.

Physical Specifications

- **Standard Operating Temperature:** 32°F to 120°F (0°C to 49°C)
- **Humidity Range:** 10 to 93% non-condensing.
- **Dimensions**
 - **Wall-Mount Strobe and Horn Strobe (including lens):** 5.6" L x 4.7" W x 1.25" D.
 - **SPS Speaker Strobe:** 6.5" L x 5.0" W x 2.3" D (including lens and speaker)
 - **Ceiling-Mount Strobe (including lens):** 6.8" diameter x 2.8" D

UL MAX. CURRENT DRAW (MA RMS), 2-WIRE HORN STROBE

	DC Input: 8-17.5 Volts		DC Input: 16-33 Volts											FWR Input: 16 FWR										
	15 cd	30 cd	15 cd	30 cd	75 cd	95 cd	110 cd	115 cd	135 cd	150 cd	175 cd	185 cd	15 cd	30 cd	75 cd	95 cd	110 cd	115 cd	135 cd	150 cd	175 cd	185 cd		
Temporal High	15	30	54	74	121	142	162	187	196	217	254	245	83	107	156	177	198	223	234	254	286	287		
Temporal Low	98	158	44	65	111	133	157	185	184	211	249	235	68	91	145	165	185	199	223	229	262	271		
Non-Temporal High	93	154	73	94	139	160	182	187	211	230	273	262	108	135	181	207	230	223	264	254	286	315		
Non-Temporal Low	106	166	51	71	119	139	162	170	190	216	258	239	79	104	157	175	197	199	235	229	262	281		
3.1K Temporal High	93	156	53	73	119	140	164	184	190	229	257	242	81	105	155	177	196	225	234	255	289	284		
3.1K Temporal Low	93	156	45	66	112	133	160	185	185	212	252	235	68	90	145	166	186	196	222	229	260	276		
3.1K Non-Temporal High	91	154	69	90	135	157	175	202	208	229	271	261	101	131	176	204	230	225	264	255	289	326		
3.1K Non-Temporal Low	99	162	52	72	119	138	162	187	192	217	259	242	77	102	156	177	199	196	234	229	260	291		

The 3.1k is the sound of the mini-horns. The EM (which stands for Electro-mechanical) is the sound of the SpectrAlert Advance line which uses an algorithm that hops frequencies between 2Hz and 4Hz.

Electrical/Operating Specifications

- **Nominal Voltage (strobes and horn strobes):** Regulated 12 VDC or regulated 24 DC/FWR.
- **Nominal Voltage (speakers):** 25 V or 70.7 V (nominal).
- **Maximum Supervisory Voltage (speakers):** 50 VDC.
- **Operating Voltage Range:** 8 to 17.5 V (12 V nominal) or 17 to 33 V (24 V nominal).
- **Operating Voltage Range with MDL3:** 8.5 to 17.5 (12V nominal) or 16.5 to 33V (24V nominal).
- **Strobe Flash Rate:** 1 flash per second.
- **Speaker Frequency Range:** 400 to 4,000 Hz.
- **Speaker Power:** ¼, ½, 1, 2 watts.

Speaker Sound Output

UL Reverberant (dBA @ 10 ft.)	2 W	1 W	½ W	¼ W
Wall-Mount SPS Series	88	85	82	79
Ceiling-Mount SPC Series	88	85	82	79

UL Current Draw Data

UL MAX. STROBE CURRENT DRAW (MA RMS)

Candela	8-17.5 Volts	16-33 Volts	
	DC	DC	FWR
5	87	41	60
30	153	63	86
75	N/A	111	142
95	N/A	134	164
110	N/A	148	179
115	N/A	158	191
135	N/A	172	209
150	N/A	189	228
177	N/A	226	264
185	N/A	222	257

Wall Candela Settings: 15, 30, 75, 95, 115, 150, 177
 Ceiling Candela Settings: 15, 30, 75, 95, 110, 135, 185

HORN TONES AND SOUND OUTPUT DATA: HORN AND HORN STROBE OUTPUT (DBA)

The 3.1k is the sound of the mini-horns. The EM (which stands for Electro-mechanical) is the sound of the SpectraAlert Advance line which uses an algorithm that hops frequencies between 2Hz and 4Hz. In the coded positions, temporal coding

Position	Sound Pattern	8-17.5 Volts		16-33 Volts		8-17.5 Volts	
		DC	DC	FW R	DC	DC	DC
1	Temporal	High	84	89	89		
2	Temporal	Low	75	83	83		
3	Non-Temporal	High	85	90	90		
4	Non-Temporal	Low	76	84	84		
5	3.1 KHz Temporal	High	83	88	88		
6	3.1 KHz Temporal	Low	76	82	82		
7	3.1 KHz Non-Temporal	High	84	89	89		
8	3.1 KHz Non-Temporal	Low	77	83	83		
9†	Coded	High	85	90	90		
10†	3.1 KHz Coded	High	84	89	89		

must be provided by the NAC. If the NAC voltage is held constant, the horn output will remain constantly on.

†Settings 9 and 10 are not available on the 2-wire horn strobes.

Agency Listings and Approvals

The listings and approvals below apply to L-series devices. In some cases, certain modules or applications may not be listed by certain approval agencies, or listing may be in process. Consult factory for latest listing status.

- **UL-Listed**
 - S4048 Plain Wall Speaker Strobes
 - S4048 Plain Ceiling Speaker Strobes
 - S4048 Speaker Strobe ALERT devices
- **UL/ULC-Listed**
 - S5512 Colored Lenses
 - S5512 Plain Wall Strobes
 - S4011 Plain Wall Horn Strobes
 - S5512 Strobe-only ALERT devices
- **FM Approved** (Except ALERT models and colored lenses)
- **CSFM Listed:**
 - 7125-1653:0504 (Colored lenses, Plain Wall Strobes, Plain Wall Horn Strobes, Plain Wall Speaker Strobes, Plain Ceiling Speaker Strobes, Strobe-only ALERT models)
 - 7320-1653:0505 (Speaker-strobe ALERT models)

Product Line Information

NOTE: Add “-P” suffix for plain housing (no “FIRE” marking on cover).

NOTE: Add “-ALERT” suffix for “ALERT” marking on cover.

NOTE: “A” suffix indicates ULC-Listed model. ULC-listed devices include required French labeling. See Agency Listings for listing details.

NOTE: “A” suffix indicates ULC-listed models, ULC models have FIRE/FEU marking on cover.

ALERT DEVICES

SWL-CLR-ALERT. Strobe, Wall, Clear Lens, ALERT (White).

SWL-ALERT. Strobe, Wall, Amber Lens, ALERT (White).

SCWL-CLR-ALERT. Strobe, Ceiling, Clear Lens, ALERT (White).

SPSWL-ALERT. Speaker Strobe, Wall, Amber Lens, ALERT (White) (UL/ULC-listed).

SPSWL-CLR-ALERT. Speaker Strobe, White, Wall, Clear Lens, ALERT (UL/ULC-listed).

SPSCWL-CLR-ALERT. Speaker Strobe, Ceiling, Clear Lens, ALERT (UL/ULC-listed).

PLAIN WALL STROBES

SWL-P, SRL-P. Strobe, Wall, Plain (White, Red).

PLAIN WALL HORN STROBES

P2WL(A)-P, P2RL(A)-P. Horn Strobe, Wall, Plain (White, Red).

PLAIN WALL SPEAKER STROBES

SPSWL(A)-P, SPSRL(A)-P. Speaker Strobe, Wall, Plain (White, Red).

PLAIN CEILING SPEAKER STROBES

SPSCWL(A)-P. Speaker Strobe, Ceiling, Plain (White).

COLORED LENSES

LENS-A2. Wall-Mount Lens Attachment, Amber.

LENS-B2. Wall-Mount Lens Attachment, Blue.

LENS-G2. Wall-Mount Lens Attachment, Green.

LENS-R2. Wall-Mount Lens Attachment, Red.

LENS-AC2. Ceiling-Mount Lens Attachment, Amber.

LENS-BC2. Ceiling-Mount Lens Attachment, Blue.

LENS-GC2. Ceiling-Mount Lens Attachment, Green.

LENS-RC2. Ceiling-Mount Lens Attachment, Red.

BEZEL KITS*

BZW, BZR. Wall Bezel Kit (White, Red).

BZGW, BZGR. Compact Wall Bezel Kit (White, Red).

BZWC, BZRC. Horn/Strobe Ceiling Bezel Kit (White, Red).

BZSPW, BZSPR. Speaker Wall Red Bezel Kit (White, Red).

BZSPWC, BZSPRC. Speaker Ceiling Red Bezel Kit. (White, Red).

NOTE: For bezel option add -F (FIRE), -AL (ALERT), -EV (EVAC), -AG (AGENT), -P (Plain), -SP (FUEGO), -PG (FOGO) suffix for desired printing.

NOTE: Each bezel pack ships in a package of 5.

NOTIFIER® and **SpectrAlert®** are registered trademarks and **Sync•Circuit™** is a trademark of Honeywell International Inc. ©2017 by Honeywell International Inc. All rights reserved. Unauthorized use of this document is strictly prohibited.



This document is not intended to be used for installation purposes.
We try to keep our product information up-to-date and accurate.
We cannot cover all specific applications or anticipate all requirements.
All specifications are subject to change without notice.

For more information, contact Notifier. Phone: (203) 484-7161, FAX: (203) 484-7118.
www.notifier.com

Indoor Selectable-Output Strobes and Horn Strobes for Ceiling Applications



Audio/Visual Devices

General

System Sensor L-Series audible visible notification products are rich with features guaranteed to cut installation times and maximize profits with lower current draw and modern aesthetics.

The System Sensor L-Series offers the most versatile and easy-to-use line of horns, strobes, and horn strobes in the industry with lower current draws and modern aesthetics. With white and red plastic housings, wall and ceiling mounting options, System Sensor L-Series can meet virtually any application requirement.

The entire L-Series product line of ceiling-mount strobes and horn strobes include a variety of features that increase their application versatility while simplifying installation. All devices feature a plug-in design with minimal intrusion into the back box, making installations fast and foolproof while virtually eliminating costly and time-consuming ground faults.

To further simplify installation, the L-Series utilizes a universal mounting plate so installers can mount them to a wide array of back boxes. With an onboard shorting spring, installers can test wiring continuity before the device is installed.

Installers can also easily adapt devices to suit a wide range of application requirements using field-selectable candela settings, automatic selection of 12- or 24-volt operation, and a rotary switch for horn tones with two volume selections.

Features

- Plug-in design with minimal intrusion into the back box
- Tamper-resistant construction
- Automatic selection of 12- or 24-volt operation at 15 and 30 candela
- Field-selectable candela settings on ceiling units: 15, 30, 75, 95, 115, 150, and 177
- Horn rated at 88+ dBA at 16 volts
- Rotary switch for horn tone and two volume selections
- Universal mounting plate for ceiling units
- Mounting plate shorting spring feature checks wiring continuity before device installation
- Electrically compatible with legacy SpectrAlert and SpectrAlert Advance devices
- Compatible with MDL3 sync module
- Listed for ceiling mounting only



SCRL

PC2WL

Architect/Engineer Specifications

GENERAL

L-Series ceiling-mount strobes and horn strobes shall mount to a standard 4 × 4 × 1½-inch back box, 4-inch octagon back box, or double-gang back box. Two-wire products shall also mount to a single-gang 2 × 4 × 1⅞ inch back box. A universal mounting plate shall be used for mounting ceiling and wall products. The notification appliance circuit wiring shall terminate at the universal mounting plate. Also, L-Series products, when used with the Sync•Circuit™ Module accessory, shall be powered from a non-coded notification appliance circuit output and shall operate on a nominal 12 or 24 volts. When used with the Sync•Circuit Module, 12-volt-rated notification appliance circuit outputs shall operate between 8.5 and 17.5 volts; 24-volt-rated notification appliance circuit outputs shall operate between 16.5 and 33 volts. Indoor L-Series products shall operate between 32 and 120 degrees Fahrenheit from a regulated DC or full-wave rectified unfiltered power supply. Ceiling strobes and horn strobes shall have field-selectable candela settings including 15, 30, 75, 95, 115, 150, and 177.

STROBE

The strobe shall be a System Sensor L-Series Model _____ listed to UL 1971 and shall be approved for fire protective service. The strobe shall be wired as a primary-signaling notification appliance and comply with the Americans with Disabilities Act requirements for visible signaling appliances, flashing at 1 Hz over the strobe's entire operating voltage range. The strobe light shall consist of a xenon flash tube and associated lens/reflector system.

HORN STROBE COMBINATION

The horn strobe shall be a System Sensor L-Series Model _____ listed to UL 1971 and UL 464 and shall be approved for fire protective service. The horn strobe shall be wired as a primary-signaling notification appliance and comply with the Americans with Disabilities Act requirements for visible signaling appliances, flashing at 1 Hz over the strobe's entire operating voltage range. The strobe light shall consist of a xenon flash tube and associated lens/reflector system. The horn shall have two audibility options and an option to switch between a temporal three pattern and a non-temporal (continuous) pattern. These options are set by a multiple position switch. The horn on horn strobe models shall operate on a coded or non-coded power supply.

SYNCHRONIZATION MODULE

The module shall be a System Sensor Sync•Circuit model MDL3 listed to UL 464 and shall be approved for fire protective service. The module shall synchronize L-Series strobes at 1 Hz and horns at temporal three. Also, while operating the strobes, the module shall silence the horns on horn strobe models over a single pair of wires. The module shall mount to a $4^{11/16} \times 4^{11/16} \times 2^{1/8}$ inch back box. The module shall also control two Style Y (class B) circuits or one Style Z (class A) circuit. The module shall synchronize multiple zones. Daisy chaining two or more synchronization modules together will synchronize all the zones they control. The module shall not operate on a coded power supply.

PHYSICAL/ELECTRICAL SPECIFICATIONS

- **Standard Operating Temperature:** 32°F to 120°F (0°C to 49°C)
- **Humidity Range:** 10 to 93% non-condensing
- **Strobe Flash Rate:** 1 flash per second
- **Nominal Voltage:** Regulated 12VDC or regulated 24DC/FWR¹
- **Operating Voltage Range²:** 8 to 17.5V (12V nominal) or 16 to 33V (24V nominal)
- **Operating Voltage Range with MLD3:** 8.5 to 17.5V (12V nominal) or 16.5 to 33V (24V nominal)
- **Input terminal wire gauge:** 12 to 18 AWG
- **Ceiling-Mount Dimensions (including lens):** 6.8" diameter 2.5" high (173 mm diameter 64 mm high)
- **Ceiling-Mount Surface Mount Back Box Skirt Dimensions (SBBCR, SBBCW):** 6.9" diameter x 3.4" high (175 mm diameter x 86 mm high)

Notes:

1. Full Wave Rectified (FWR) voltage is a non-filtered, time varying power source that is used on some power supply and panel outputs.
2. P, S, PC, and SC products will operate at 12 V nominal only for 15 and 30 cd.

UL Current Draw Data

UL MAX. STROBE CURRENT DRAW (MA RMS)

Candela	8–17.5 Volts	16–33 Volts	
	DC	DC	FWR
15	87	41	60
30	153	63	86
75	N/A	111	142
95	N/A	134	164
115	N/A	158	191
150	N/A	189	228
177	N/A	226	264

*This data represents coding at 3 chimes per second. Actual current draw will vary depending upon coding selected.

UL MAX. CHIME/STROBE CURRENT DRAW (MA RMS), 2-WIRE HORN STROBE

The 3.1k is the sound of the mini-horns. The EM (which stands for Electro-mechanical) is the sound of the SpectrAlert Advance line which uses an algorithm that hops frequencies between 2Hz and 4Hz.

Candela	8 VDC		16 VDC						
	15	30	15	30	75	95	115	150	177
Temporal High	103	167	71	90	143	165	187	217	254
Temporal Low	96	165	54	71	137	161	185	211	249
Non-Temporal High	106	173	71	90	141	165	187	230	273
Non-Temporal Low	95	166	54	71	124	161	170	216	258
3.1K Temporal High	111	164	69	94	147	163	184	229	257
3.1K Temporal Low	103	163	54	88	143	155	185	212	252
3.1K Non-Temporal High	111	172	69	94	144	164	202	229	271
3.1K Non-Temporal Low	103	169	54	88	131	155	187	217	259

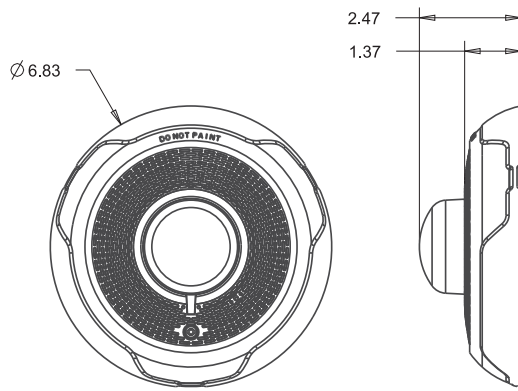
Candela	16VFWR						
	15	30	75	95	115	150	177
Temporal High	107	135	179	198	223	254	286
Temporal Low	78	101	151	172	199	229	262
Non-Temporal High	107	135	179	198	223	254	286
Non-Temporal Low	78	101	151	172	199	229	262
3.1K Temporal High	108	135	179	200	225	255	289
3.1K Temporal Low	79	101	150	171	196	229	260
3.1K Non-Temporal High	108	135	179	200	225	255	289
3.1K Non-Temporal Low	79	101	150	171	196	229	260

Horn Strobe Tones and Sound Output Data

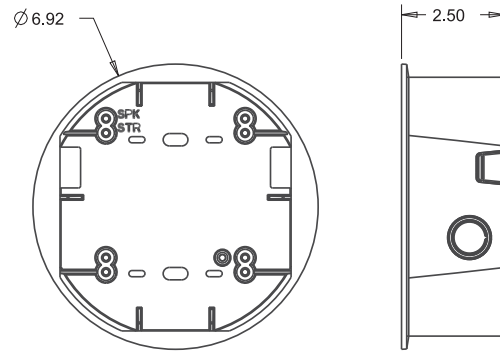
HORN AND HORN STROBE OUTPUT (DBA)

Switch Position	Sound Pattern	dB	8-17.5 Volts	16-33 Volts	
			DC	DC	FWR
1	Temporal	High	84	89	89
2	Temporal	Low	75	83	83
3	Non-Temporal	High	85	90	90
4	Non-Temporal	Low	76	84	84
5	3.1 KHz Temporal	High	83	88	88
6	3.1 KHz Temporal	Low	76	82	82
7	3.1 KHz Non-Temporal	High	84	89	89
8	3.1 KHz Non-Temporal	Low	77	83	83

Product Drawings: L-Series Dimensions



Horn Strobes (Ceiling)



Surface Mount Back Box (Ceiling)

oly_cel_horn_strobe_datasheet_08152016_OL.eps

Agency Listings and Approvals

The listings and approvals below apply to L-series devices. In some cases, certain modules or applications may not be listed by certain approval agencies, or listing may be in process. Consult factory for latest listing status.

- **UL/ULC-Listed**
 - S4011 Ceiling horn strobes
 - S5512 Ceiling strobes
 - S5512 Strobe-only ALERT devices
- **FM Approved** (All except ALERT models)
- **CSFM Listed:** 7135-1653:0503 (Ceiling Horns and Ceiling Horn Strobes), 7125-1653:0504 (Ceiling Strobes)

Product Line Information

CEILING HORN STROBES

PC2WL(A) (-E)(-F), PC2RL(A) (-E)(-F). 2-Wire, Horn Strobe (White, Red).

CEILING STROBES

SCWL(A) (-E)(-F), SCRL(A) (-E)(-F). Strobe (White, Red).

SCWL-CLR-ALERT. Strobe, ALERT (White).

ACCESSORIES

TR-2W, TR-2. Universal Ceiling Trim Ring (White, Red).

SBBCWL, SBBCRL. Ceiling Surface Mount Back Box (White, Red).

NOTE: "A" suffix indicates ULC-Listed model. ULC-listed devices include required French labeling. See Agency Listings for listing details.

NOTE: "A" suffix indicates ULC-listed models, ULC models have FIRE/FEU marking on cover.

NOTE: ULC-listed models add "-E" suffix for English only "FIRE" marking on cover.

NOTE: ULC-listed models add "-F" suffix for French only "FEU" marking on cover.

NOTIFIER® and **SpectrAlert®** are registered trademarks and **Sync•Circuit™** is a trademark of Honeywell International Inc. ©2017 by Honeywell International Inc. All rights reserved. Unauthorized use of this document is strictly prohibited.



This document is not intended to be used for installation purposes.
We try to keep our product information up-to-date and accurate.
We cannot cover all specific applications or anticipate all requirements.
All specifications are subject to change without notice.

For more information, contact Notifier. Phone: (203) 484-7161, FAX: (203) 484-7118.
www.notifier.com